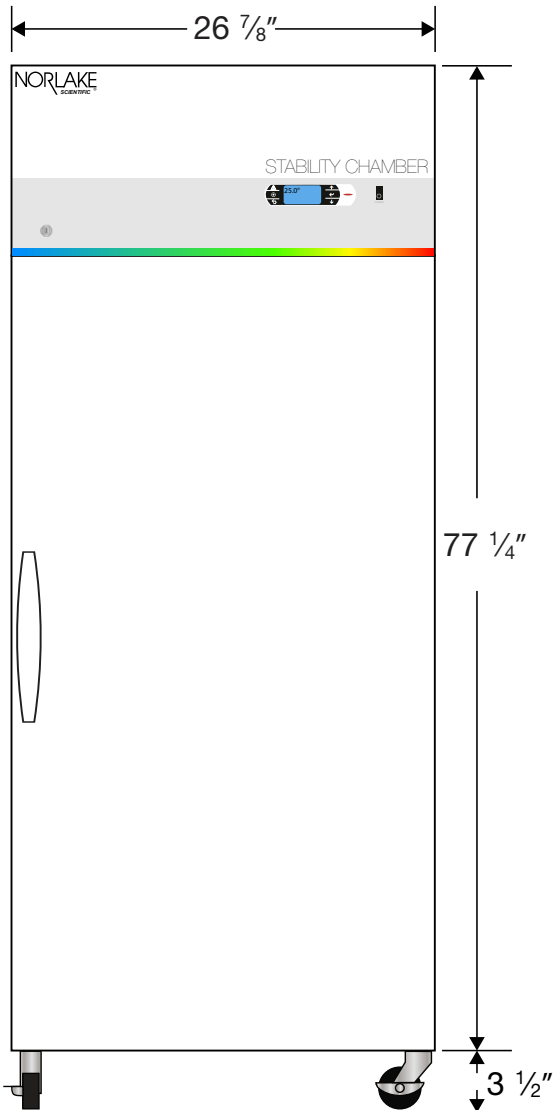
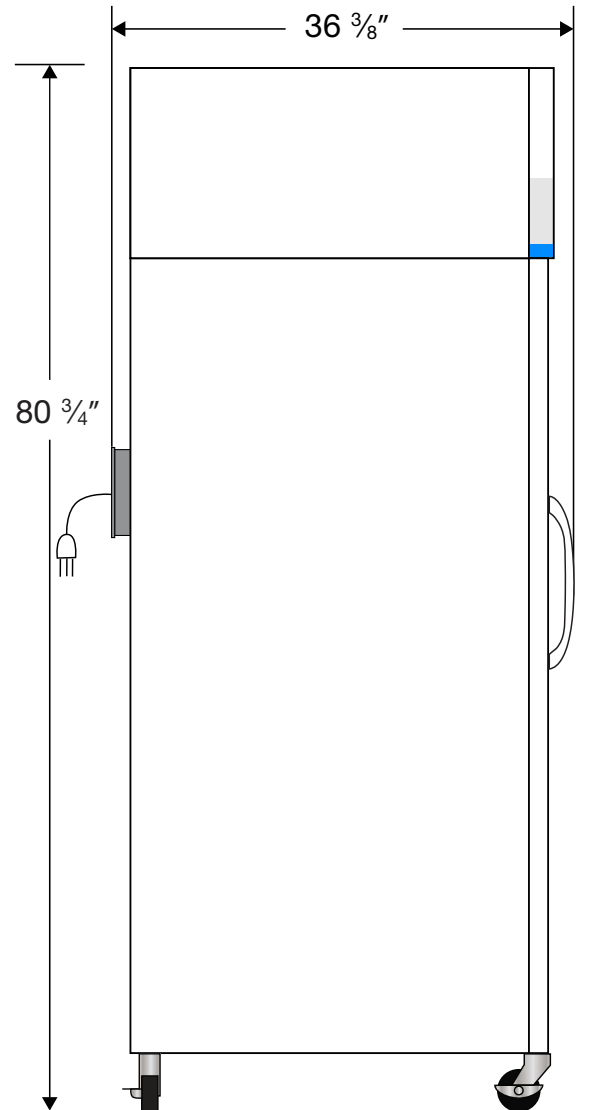


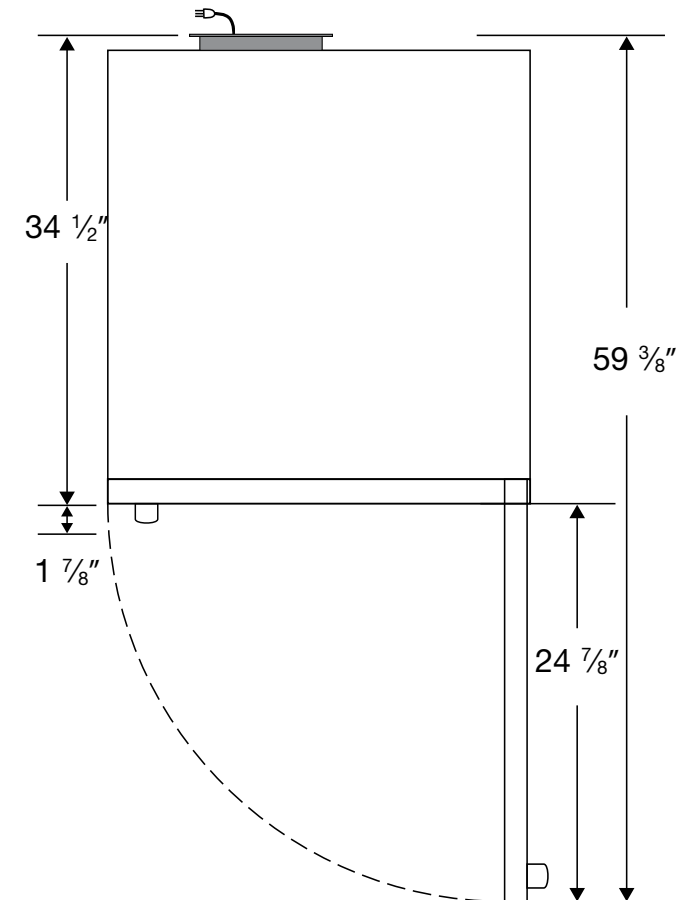
Front View



Side View



Top View



115VAC/60Hz/1PH  
NEMA-5-15P

Cu. Ft	Door	Int Door	Shelves	W"	D"	H"	Refrigerant	H.P.	Amps	Weight
23	1 Solid	0	3 Adj. Sliding	$26 \frac{7}{8}$	$36 \frac{3}{8}$	$80 \frac{3}{4}$	R290	$\frac{1}{3}$	12.4	310 lbs.